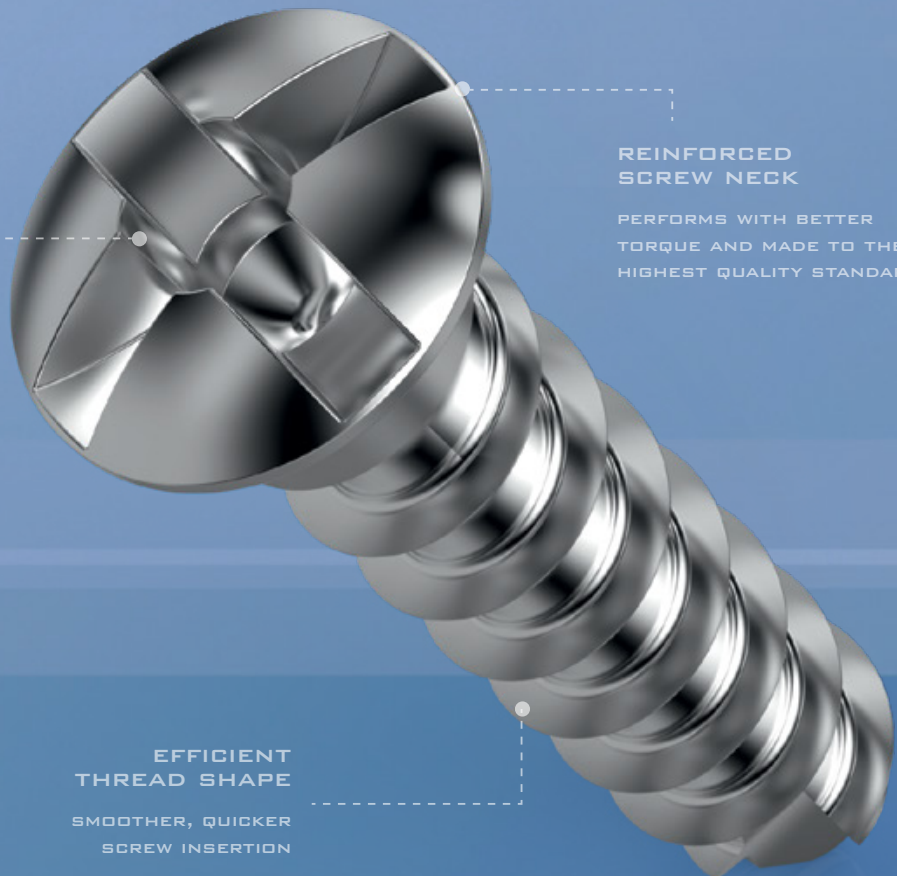


EXCELLENT
SELF-HOLDING
ABILITY

EASY SCREW PICKUP



REINFORCED
SCREW NECK

PERFORMS WITH BETTER
TORQUE AND MADE TO THE
HIGHEST QUALITY STANDARDS

EASY-FIT SCREW HEAD

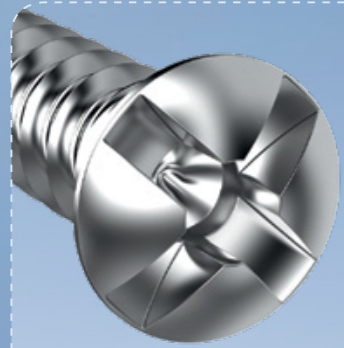
THE SPECIFIC SHAPE AND
DEEP GROOVES ALLOW FOR
EFFORTLESS INSERTION,
REMOVAL, ADJUSTMENT OF THE
SCREW. CAN BE TIGHTENED OR
LOOSENED WITH EASE

EFFICIENT
THREAD SHAPE

SMOOTHER, QUICKER
SCREW INSERTION

**ULTRA FIT
SCREWS**

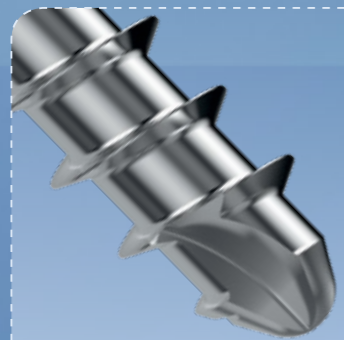
ULTRA FIT SCREWS



- EFFICIENT FORCE DISTRIBUTION
- EASY TO HANDLE
- SELF-GUIDING HEAD SHAPE
- MAINTAINS INTEGRITY AND REMAINS SECURE

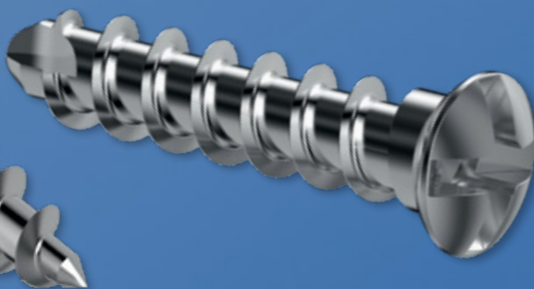


- EXCELLENT HOLD AND ATTACHMENT TO BONE
- SHARP THREAD EDGES
- CLEAR INDICATION WHEN SCREW IS FASTENED SECURELY



- EASY BONE ATTACHMENT
- MINIMAL TRAUMA TO SURROUNDING SOFT TISSUES

SELF-TAPPING SCREW –
ATRAUMATIC SCREW TIP
PREVENTS MUCOSAL DAMAGE



SCREWS ARE AVAILABLE
IN DIFFERENT DIAMETERS AND LENGTHS

SELF-DRILLING SCREW –
DESIGNED FOR SIMPLE
INSERTION, SAVING TIME AND
RENDERING PREDRILLING
UNNECESSARY

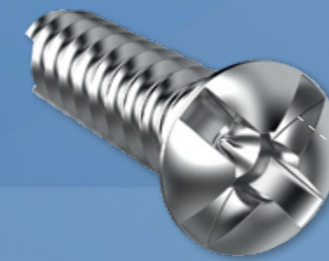
ADVANTAGES:

- INTEGRITY OF THE SCREW HEAD MAINTAINED, MEANING NO SHEARING OFF
- SELF-GUIDING WITHOUT THE NEED FOR ANOTHER DEVICE
- EFFICIENT, SHARP THREAD
- SHAPED FOR EASY HANDLING
- SMOOTH, CLEAN INSERTION WITH MINIMAL TISSUE DAMAGE
- CAN BE INSERTED AT VARYING ANGLES

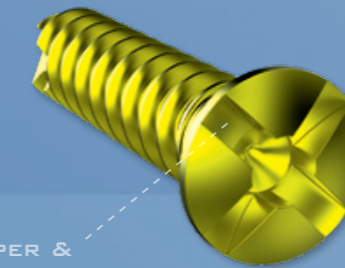
COMPARE

ULTRA FIT SCREW

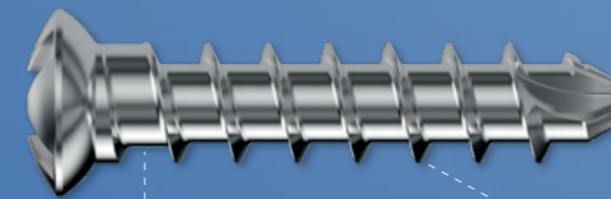
COMPETITORS



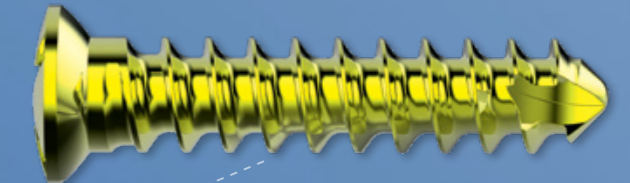
DEEPER &
WIDER SLOTS



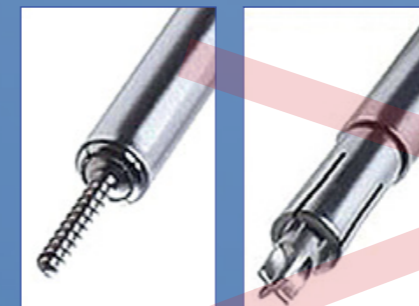
CAN BE
INSERTED
WITHOUT
PREDRILLING



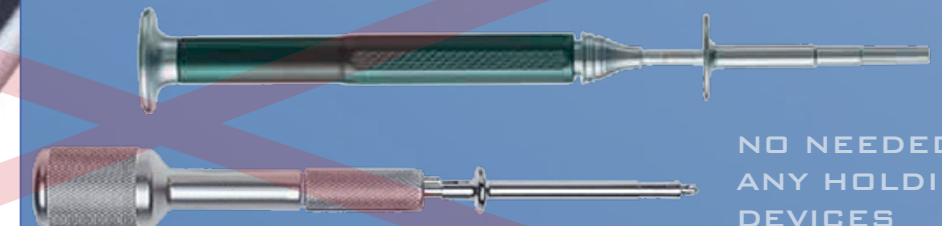
SHARPER THREAD &
THREAD SPACING IS WIDER



WELL-BALANCED BETWEEN THE HEAD AND BODY



COMPETITORS



NO NEEDED
ANY HOLDING
DEVICES

ULTRA FIT SCREWS

VERY STRONG TIP

SPECIAL ADVANTAGES OF THE ULTRA FIT SCREWS

- DEEPER AND WIDER SLOTS
- SHARPER, MORE EFFICIENT THREADS
- THREAD SPACING IS WIDER

**AGOMED
MEDIZIN-TECHNIK GMBH**

✉ INFO@AGOMED.COM
🌐 WWW.AGOMED.COM
☎ +49 7463 / 267 06 16

ÖSCHWEG 29
78567 FRIDINGEN
TUTTLINGEN / GERMANY